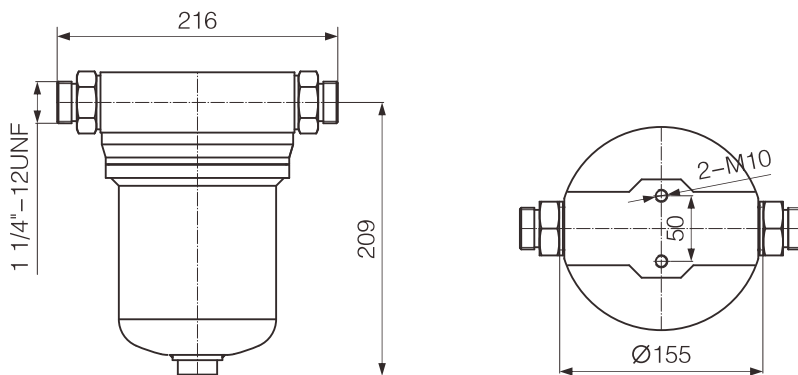


FOF螺杆机油过滤器专门为螺杆机外部油管路系统设计，进出口配有1-1/4"-12UNF阳螺纹，可方便的和7/8"ODS、5/8"ODS、1/2"ODS、3/8"ODS直线接头连接。过滤芯与进出口呈“T”形连接，这样在更换过滤芯时不需要拆卸连接管路。

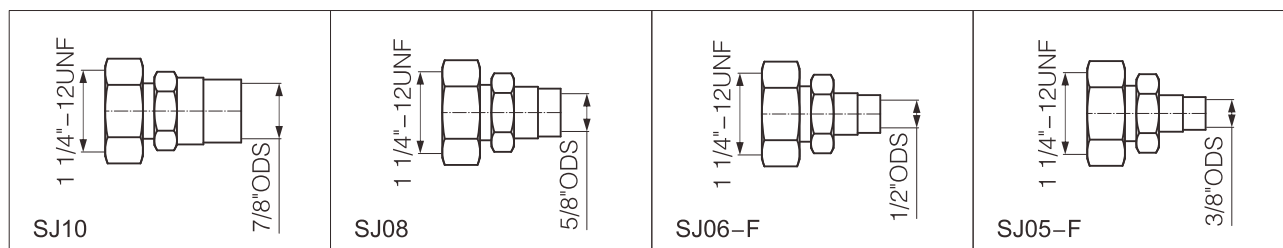
- 最大许可工作压力：31 bar；
- 最高运行温度：+120℃；
- 过滤精度：25 μm；
- 适用制冷剂：R134a、R22、R407C、R404A、R507A；
- 适用润滑油：矿物冷冻机油（MO），多元醇酯合成冷冻机油（POE），烷基苯合成冷冻机油（AB）。

FOF Oil filter is special design for the outside oil line system design of screw compressor. The inlet and outlet are assembled with 1-1/4"-12UNF male screw, and it can be connected with 7/8"ODS、5/8"ODS、1/2"ODS and 3/8"ODS connectors expediently. The oil filter core is assembled with "T" type to the inlet and outlet, with this design, it is no need to disassemble the connection line when you replace the oil filter core.

- Max. Admissible Working Pressure: 31 bar;
- The highest running temperature: +120 °C;
- Filter accuracy: 25 μm;
- Applicative refrigerants: R134a、R22、R407C、R404A、R507A;
- Can be used with mineral oil (MO)、full synthetic (POE)、semi-synthetic lubricant(AB).



FOF螺杆机油过滤器用直线接头



FOF-00W油过滤芯 滤芯为百褶式设计,具有非常大的过滤面积和非常小的压力降。FOF-00W油过滤芯可以替换比泽尔HS.53, HS.64, HS.74, HS.85系列螺杆机油过滤器(标配O型圈)。

FOF-00W Oil Filter Core The Oil filter core is design with balayouse type. It has vast filter area and quite small pressure drop. FOF-00W oil filter core also can be used for Bitzer HS.53, HS.64, HS.74, HS.85 series oil filter for screw compressor (O-ring is standard configuration).

