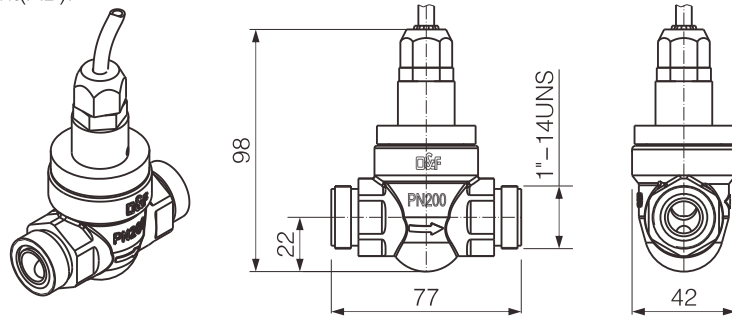


FYL 系列产品可以监控螺杆机油流量，当螺杆机油流量低于接通最小流量时，活塞开关自动断开，保护轴承和转子免受无润滑的影响，减少设备维护费用，进出口配有 1"-14UNS 阳螺纹。

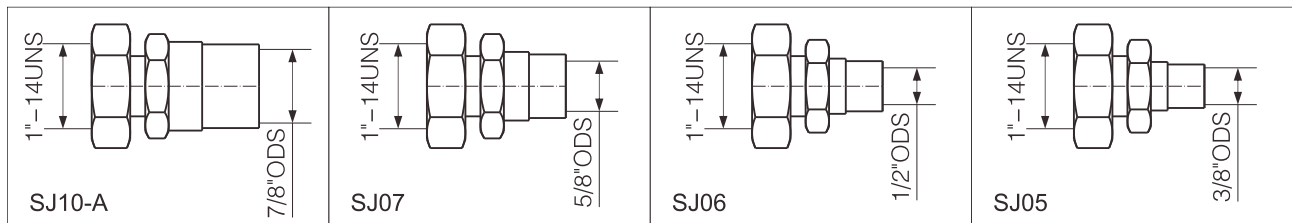
- 为了开关能长久的工作必须对开关簧片进行保护，不可以直接连入低压电路；
- 高效的流量通道，确保极低的压力降；
- 输入电源：220V/AC/50Hz；
- 最大许可工作压力：31 bar；
- 最高油温：120 °C；
- 适用润滑油：矿物冷冻机油 (MO)，多元醇酯合成冷冻机油 (POE)，烷基苯合成冷冻机油 (AB)。

FYL Series products can be used for monitoring the oil flow of the screw compressor. When the oil flow of screw compressor is lower than the minimum value, the piston switch will be cutted-off automatically, it will prevent the bearing and rotator from effect by lacking of lubricant, so the maintenance cost will be decreased. The inlet and outlet are assembled with 1"-14UNS male screw.

- Do please protect the switch reed for its long working life, please do not directly connect it into low voltage circuit.
- High-efficiency flow passageway which can guarantee the lowest pressure-drop.
- Input voltage : 220V/AC/50Hz ;
- Max. admissible working pressure : 31 bar ;
- Max. oil temperature : 120 °C ;
- Can be used with mineral oil (MO)、full synthetic (POE)、semi-synthetic lubricant(AB).



FYL 油流开关用直线接头



型号 Model	接通最小流量 Swith on min. Flow	连接 Connections
FYL-04	4 l/min	1"-14UNS
FYL-06	6 l/min	1"-14UNS
FYL-08	8 l/min	1"-14UNS
FYL-10	10 l/min	1"-14UNS

